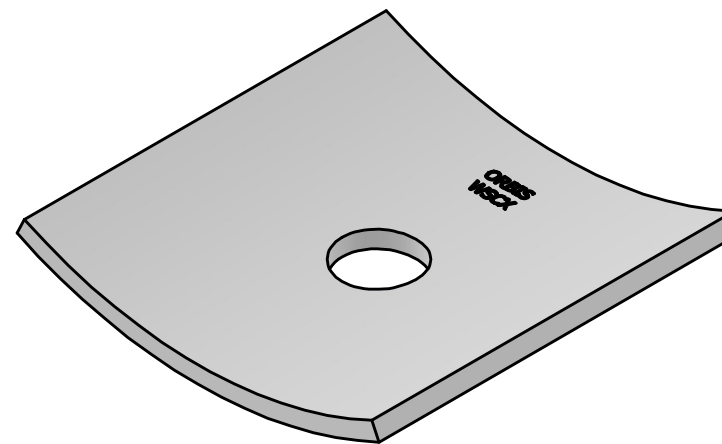
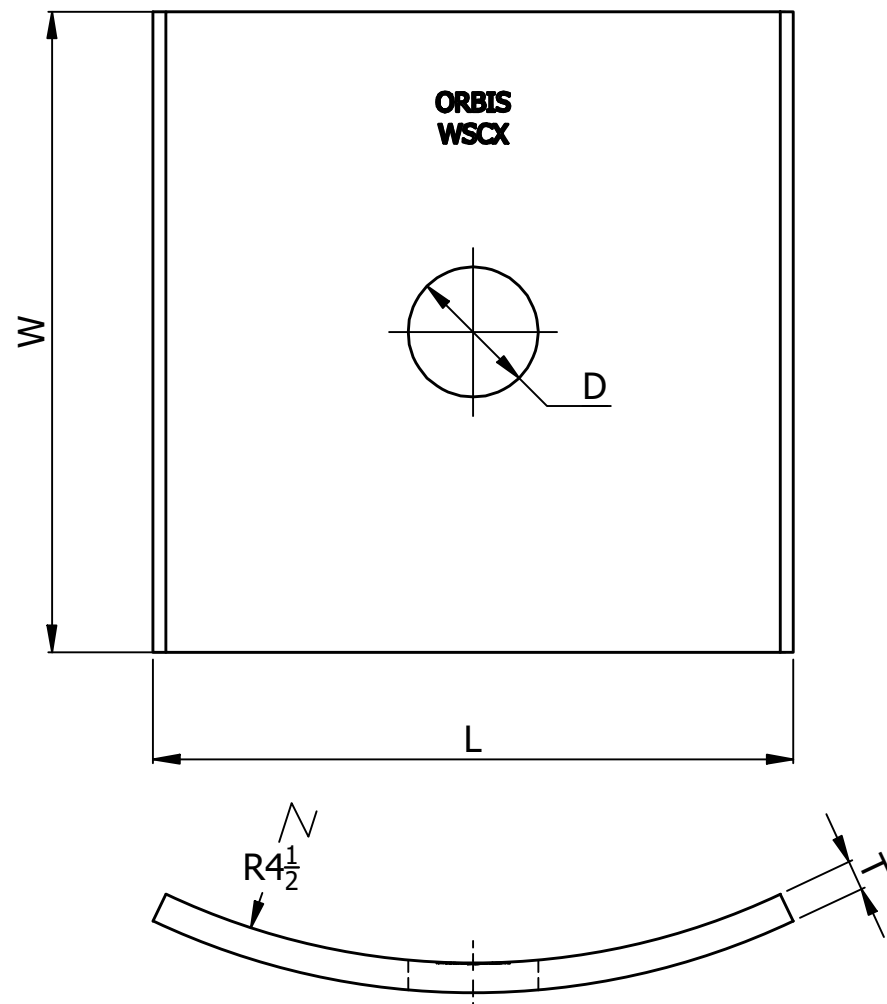


SR NO	STAMP CODE	PART NUMBER	DESCRIPTION	L (INCH)	W (INCH)	D (INCH)	T (INCH)
1	WSC9	WSC4F-1316	WASHER SQUARE CURVED 4" X 4" 13/16" HOLE HDG 3/16" THICKNESS (WSC9)	4	4	13/16	3/16
2	WSC17	WSC4G-1116	WASHER SQUARE CURVED 4" X 4" 11/16" HOLE HDG 1/4" THICKNESS (WSC17)	4	4	11/16	1/4
3	WSC18	WSC4G-1316	WASHER SQUARE CURVED 4" X 4" 13/16" HOLE HDG 1/4" THICKNESS (WSC18)	4	4	13/16	1/4
4	WSC19	WSC4G-1516	WASHER SQUARE CURVED 4" X 4" 15/16" HOLE HDG 1/4" THICKNESS (WSC19)	4	4	15/16	1/4
5	WSC20	WSC4G-1	WASHER SQUARE CURVED 4" X 4" 1" HOLE HDG 1/4" THICKNESS (WSC20)	4	4	1	1/4
6	WSC21	WSC4G-138	WASHER SQUARE CURVED 4" X 4" 1-3/8" HOLE HDG 1/4" THICKNESS (WSC21)	4	4	1-3/8	1/4
7	WSC27	WSC4H-1316	WASHER SQUARE CURVED 4" X 4" 13/16" HOLE HDG 3/8" THICKNESS 9 (WSC27)	4	4	13/16	3/8
8	WSC28	WSC4H-1	WASHER SQUARE CURVED 4" X 4" 1" HOLE HDG 3/8" THICKNESS (WSC28)	4	4	1	3/8
9	WSC29	WSC4H-116	WASHER SQUARE CURVED 4" X 4" 1-1/16" HOLE HDG 3/8" THICKNESS (WSC29)	4	4	1-1/16	3/8
10	WSC30	WSC4H-118	WASHER SQUARE CURVED 4" X 4" 1-1/8" HOLE HDG 3/8" THICKNESS (WSC30)	4	4	1-1/8	3/8
11	WSC34	WSC45J-1516	WASHER SQUARE CURVED 4" X 4" 15/16" HOLE HDG 1/2" THICKNESS (WSC34)	4	4	15/16	1/2
12	WSC35	WSC4J-116	WASHER SQUARE CURVED 4" X 4" 1-1/16" HOLE HDG 1/2" THICKNESS (WSC35)	4	4	1-1/16	1/2
13	WSC22	WSC45G-1516	WASHER SQUARE CURVED 4" X 5" 15/16" HOLE HDG 1/4" THICKNESS (WSC22)	4	5	15/16	1/4
14	WSC31	WSC45H-1316	WASHER SQUARE CURVED 4" X 5" 13/16" HOLE HDG 3/8" THICKNESS (WSC31)	4	5	13/16	3/8
15	WSC32	WSC45H-118	WASHER SQUARE CURVED 4" X 5" 1-1/8" HOLE HDG 3/8" THICKNESS (WSC32)	4	5	1-1/8	3/8
16	WSC36	WSC45J-118	WASHER SQUARE CURVED 4" X 5" 1-1/8" HOLE HDG 1/2" THICKNESS (WSC36)	4	5	1-1/8	1/2
17	WSC37	WSC48J-116	WASHER SQUARE CURVED 4" X 8" 1-1/16" HOLE HDG 1/2" THICKNESS (WSC37)	4	8	1-1/16	1/2



THICKNESS CHART		
FRACTION	DECIMAL	NOMENCLATURE
5/64"	0.07	A
7/64"	0.1	B
1/8"	0.125	C
9/64"	0.14	D
5/32"	0.15	E
3/16	.1875	F
1/4"	.25	G
3/8"	.375	H
7/16"	.4375	I
1/2"	.5	J

NOTES:

- HOT DIP GALVANIZED AS PER ASTM A-153
- MATERIAL - HOT ROLLED STEEL
- ALL MEASUREMENTS IN INCHES.

THIS DRAWING CONTAINS CONFIDENTIAL INFORMATION AND IS THE EXCLUSIVE PROPERTY OF ORBIS MANUFACTURING

DRAWN	MSM	DATE	21-07-2022
APPROVED	DMM	DATE	26-07-2022
REVISION	R1.1	DATE	22-08-2023

DRAWING NUMBER	
WSC4X-XXXX	
DESCRIPTION	
WASHER 4" SQUARE CURVED	