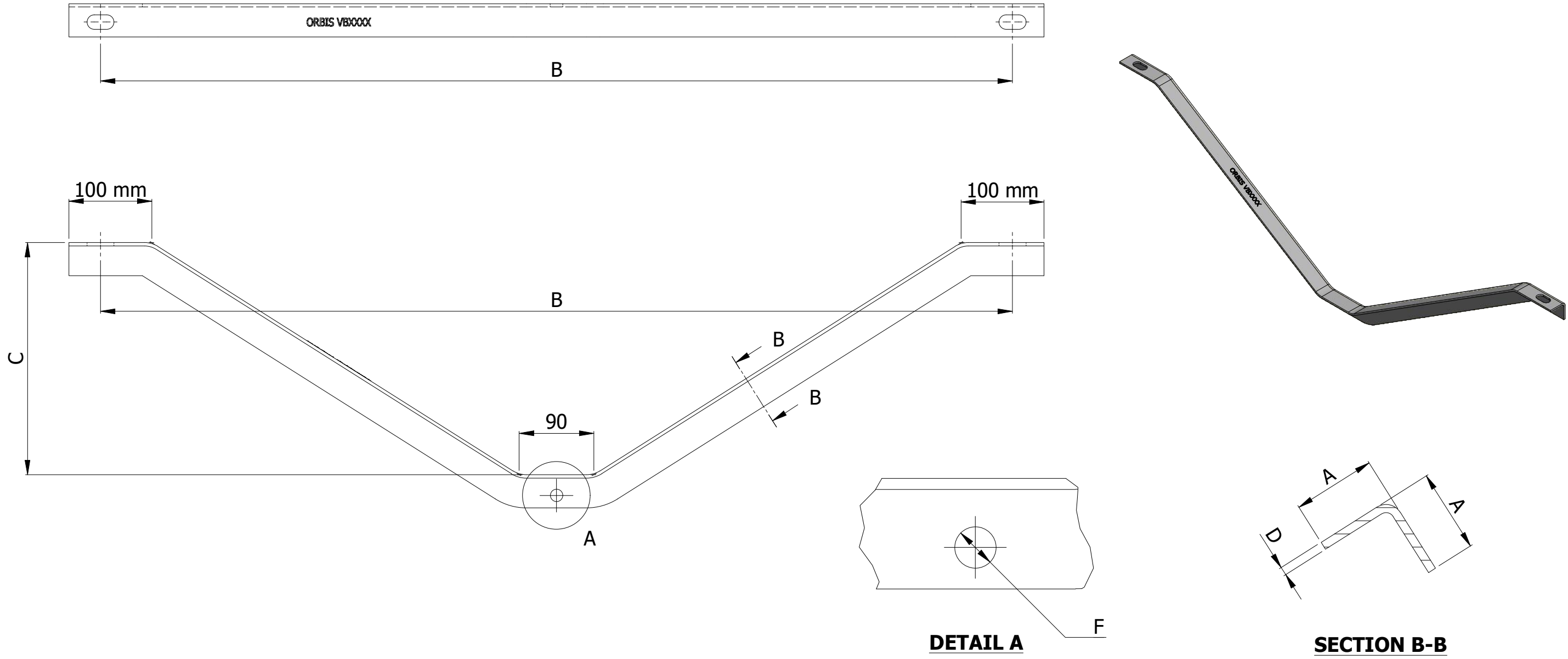


SR NO	PART NUMBER	DESCRIPTION	ANGLE "A"	SPAN "B"	DEPTH "C"	THICKNESS "D"	HOLE "F"
1	VB4034A	V-BRACE 40" SPREAD 3/4" BOLT HOLES 1.5" WIDE BRACE	1.5"	40"	12"	0.16	13/16"
2	VB4858A	V-BRACE 48" SPREAD 5/8" BOLT HOLES 1.5" WIDE BRACE	1.5"	48"	18"	0.16	11/16"
3	VB6058A	V-BRACE 60" SPREAD 5/8" BOLT HOLES 1.5" WIDE BRACE	1.5"	60"	18"	0.16	11/16"
4	VB6058B	V-BRACE 60" SPREAD 5/8" BOLT HOLES 1.75" WIDE BRACE	1.75"	60"	18"	0.2	11/16"
5	VB7258B	V-BRACE 72" SPREAD 5/8" BOLT HOLES 1.75" WIDE BRACE	1.75"	72"	22"	0.2	11/16"



NOTES:

- HOT DIP GALVANIZED AS PER ASTM A-153
- MATERIAL: HOT ROLLED STEEL
- ALL MEASUREMENTS IN INCHES

THIS DRAWING
CONTAINS
CONFIDENTIAL
INFORMATION
AND IS THE
EXCLUSIVE
PROPERTY OF
ORBIS
MANUFACTURING

ORBIS

DRAWN	MSM	DATE	22-07-2022
APPROVED	DMM	DATE	27-07-2022
REVISION	-		

DRAWING NUMBER

VBXXXX

DESCRIPTION

V-BRACE