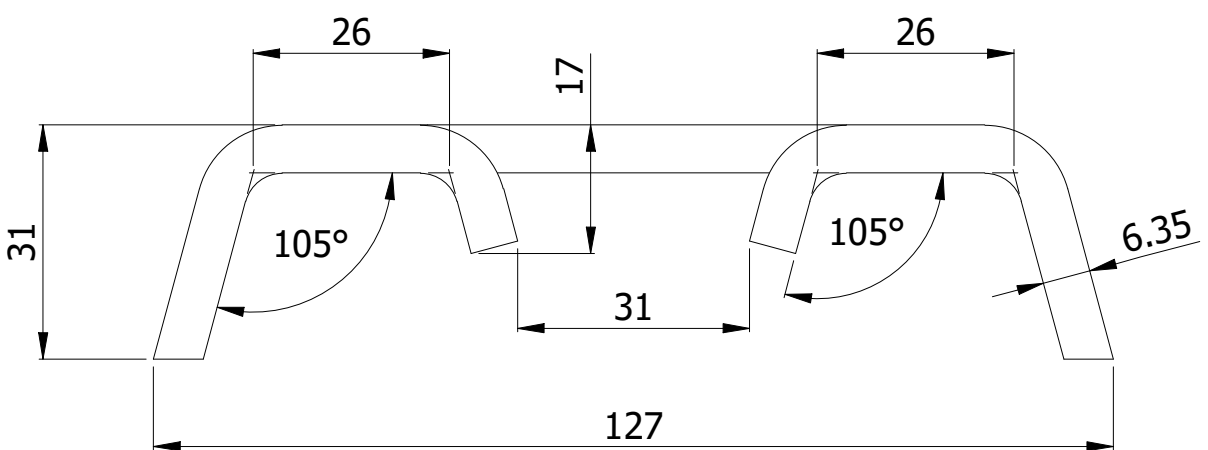
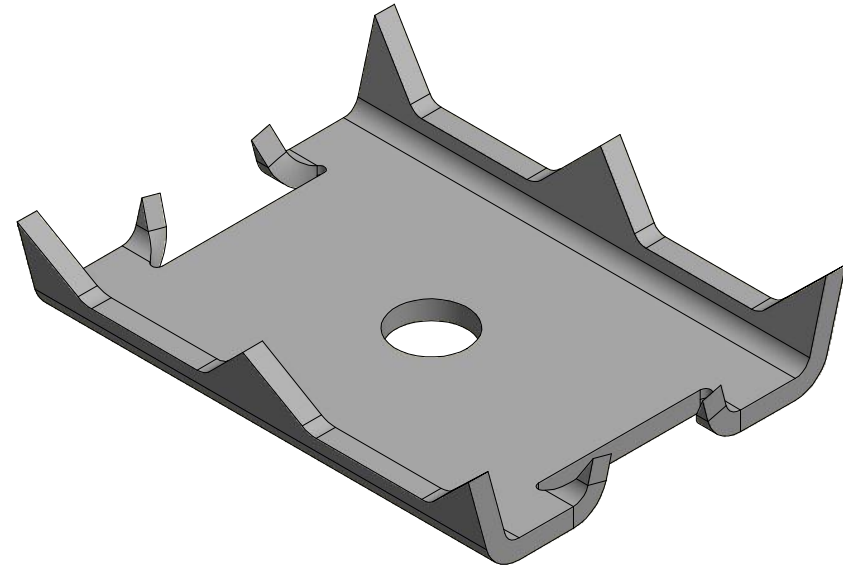
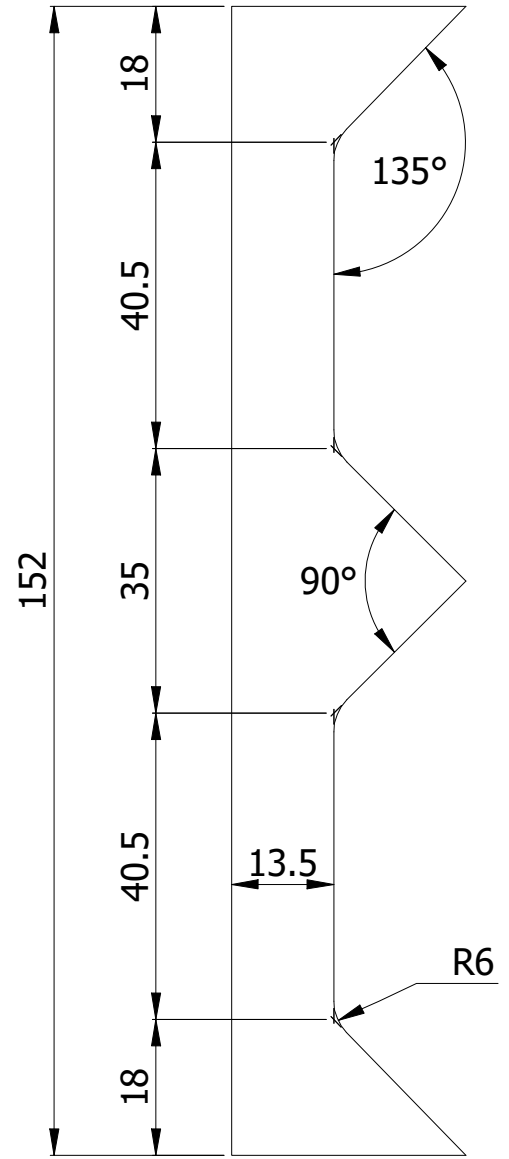
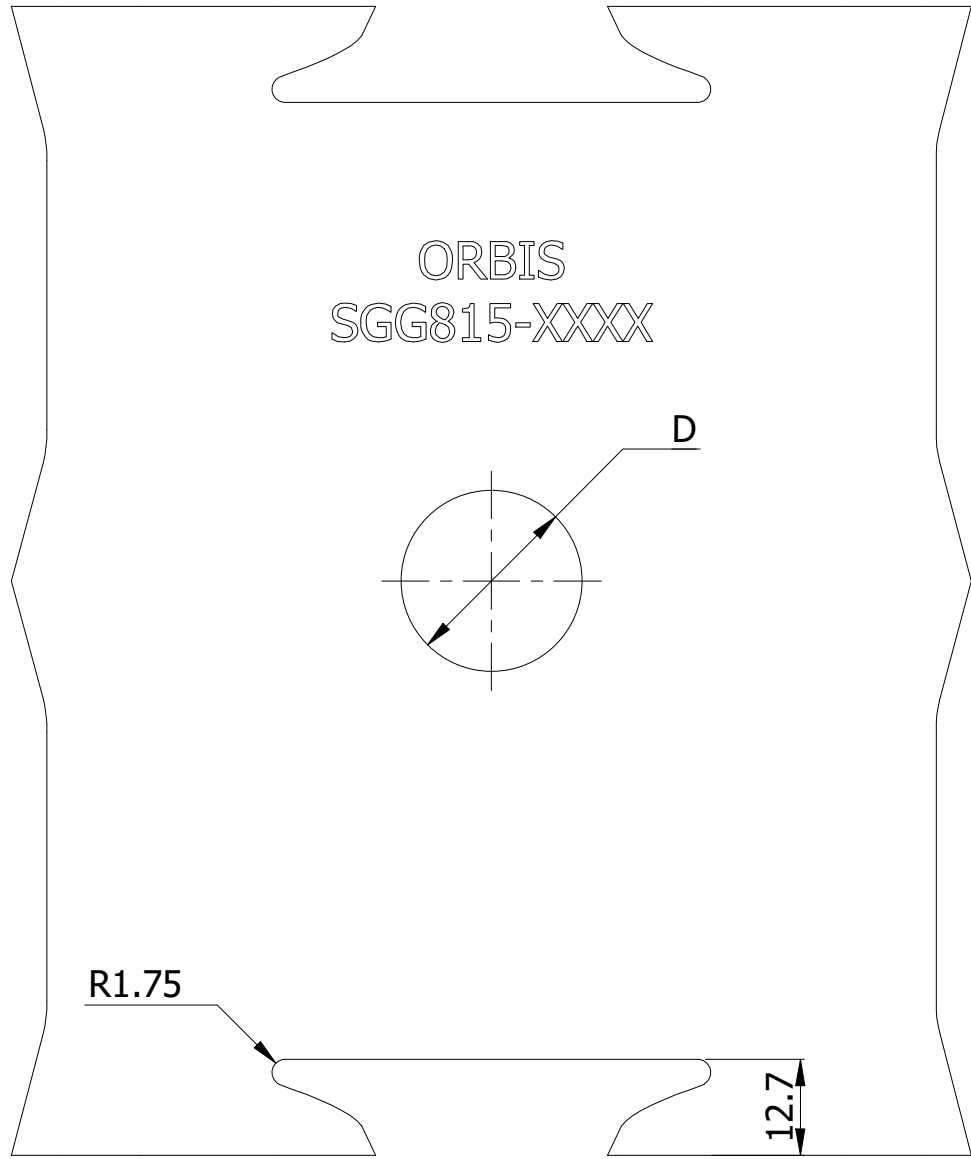


SR NO	PART NUMBER	DESCRIPTION	D (INCH)
1	SGG815-1316	STEEL GRID GAIN 8" TO 15" POLE 5" WIDE 6" LONG 13/16" BOLT HOLE HDG	13/16
2	SGG815-1516	STEEL GRID GAIN 8" TO 15" POLE 5" WIDE 6" LONG 15/16" BOLT HOLE HDG	15/16



- NOTE:-
1. THIS PRODUCT MEETS THE REQUIREMENTS OF RELEVANT CSA & ANSI STANDARDS
  2. MATERIAL: HOT DIP GALVANIZED STEEL PLATE
  3. GALVANIZING STANDARD: CSA G164
  4. ALL DIMENSIONS ARE IN MM UNLESS SPECIFIED

THIS DRAWING CONTAINS CONFIDENTIAL INFORMATION AND IS THE EXCLUSIVE PROPERTY OF ORBIS MANUFACTURING

<b>ORBIS</b>			
DRAWN	MSM	DATE	01-08-2022
APPROVED	DMM	DATE	08-08-2022
REVISION	-		

<b>DRAWING NUMBER</b>
SGG815-XXXX
<b>DESCRIPTION</b>
STEEL GRID GAIN 8" TO 15" POLE 5" WIDE 6" LONG D" BOLT HOLE HDG