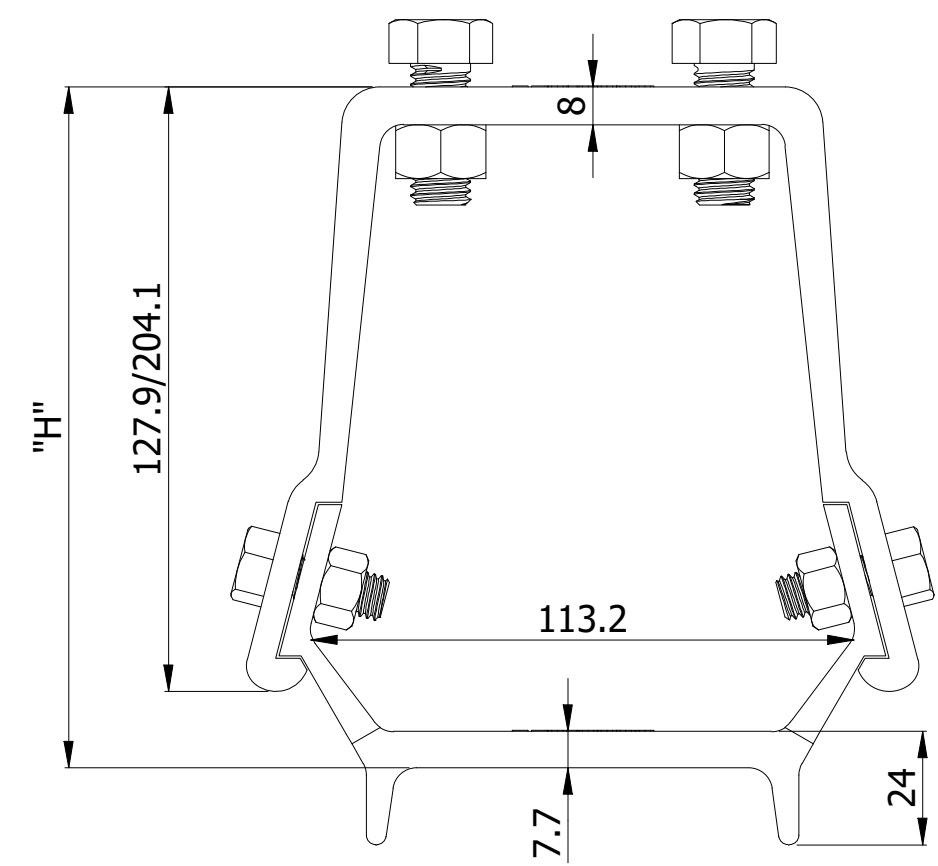
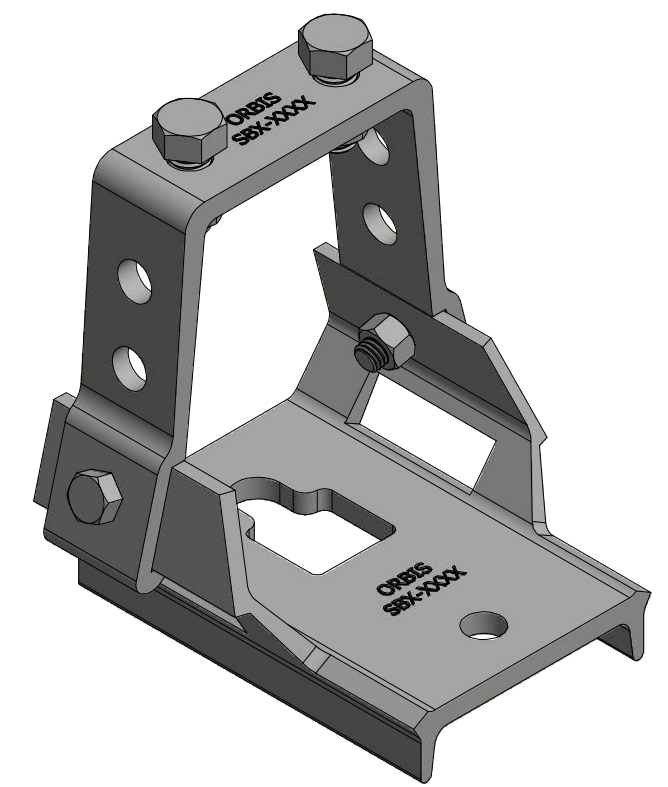


SR NO	PART NUMBER	DESCRIPTION	"M" MOUNT	"H" HEIGHT
1	SB6-1116	STANDOFF BRACKET 6" ALUMINUM 5/8" BOLT MOUNT	18	152.4
2	SB6-1316	STANDOFF BRACKET 6" ALUMINUM 3/4" BOLT MOUNT	21	152.4
3	SB9-1116	STANDOFF BRACKET 9" ALUMINUM 5/8" BOLT MOUNT	18	228.6
4	SB9-1316	STANDOFF BRACKET 9" ALUMINUM 3/4" BOLT MOUNT	21	228.6



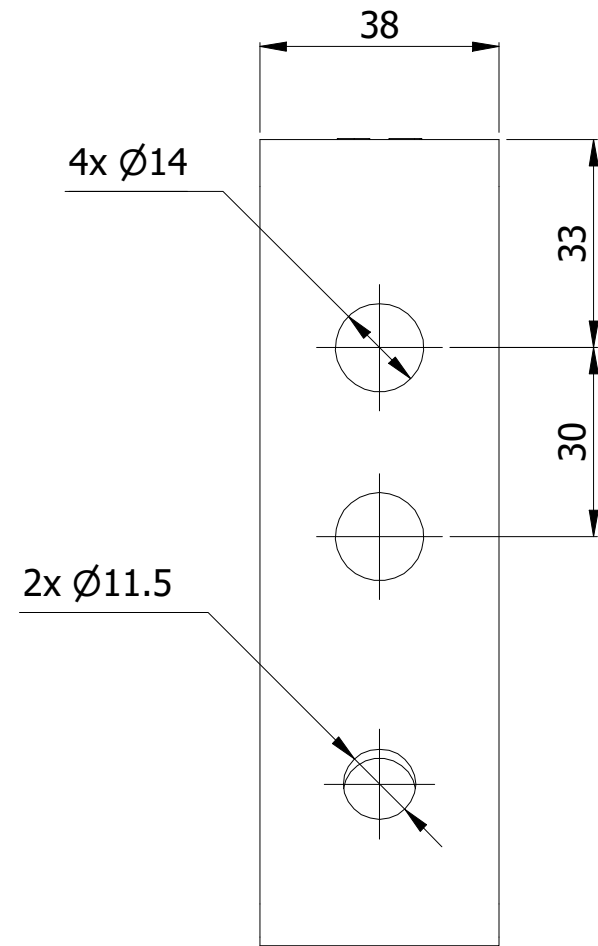
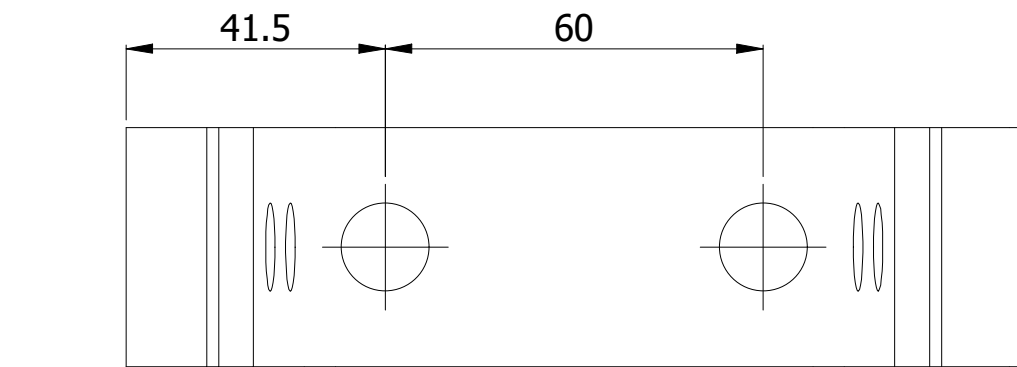
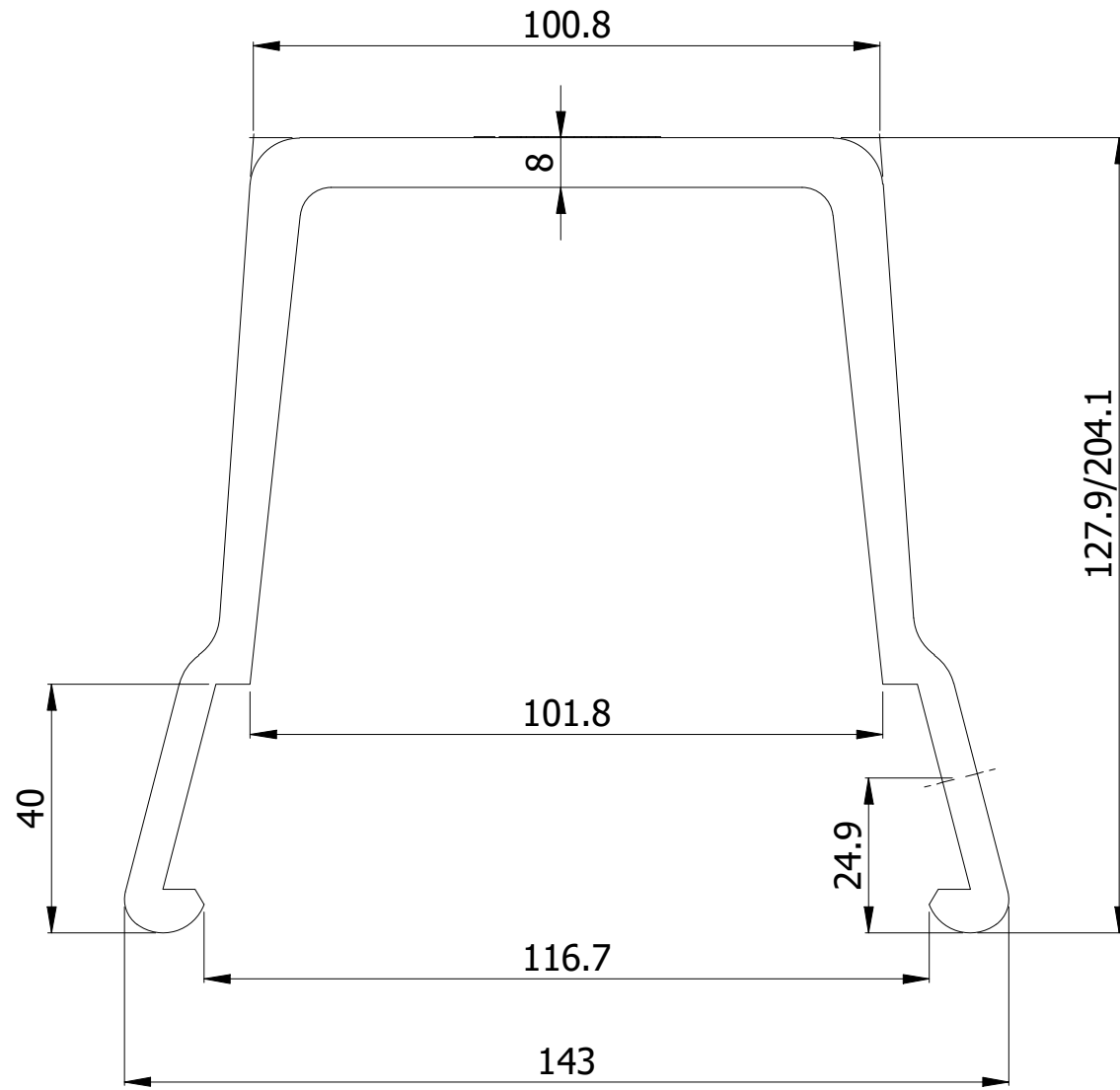
NOTE:-
 MATERIAL: ALUMINIUM ALLOY
 HARDWARE: GALVANIZED STEEL
 ACCESSORIES: TWO HEX NUTS & BOLTS 1/2"x30mm
 TWO HEX NUTS & BOLTS 3/8"x25mm.

THIS DRAWING
 CONTAINS
 CONFIDENTIAL
 INFORMATION
 AND IS THE
 EXCLUSIVE
 PROPERTY OF
 ORBIS
 MANUFACTURING



DRAWN	MSM	DATE	13-03-2023
APPROVED	DMM	DATE	14-03-2023
REVISION	R1.1		

DRAWING NUMBER
SBX-XXXX
DESCRIPTION
STANDOFF BRACKET ALUMINUM WITH BOLT MOUNT



THIS DRAWING
CONTAINS
CONFIDENTIAL
INFORMATION
AND IS THE
EXCLUSIVE
PROPERTY OF
ORBIS
MANUFACTURING



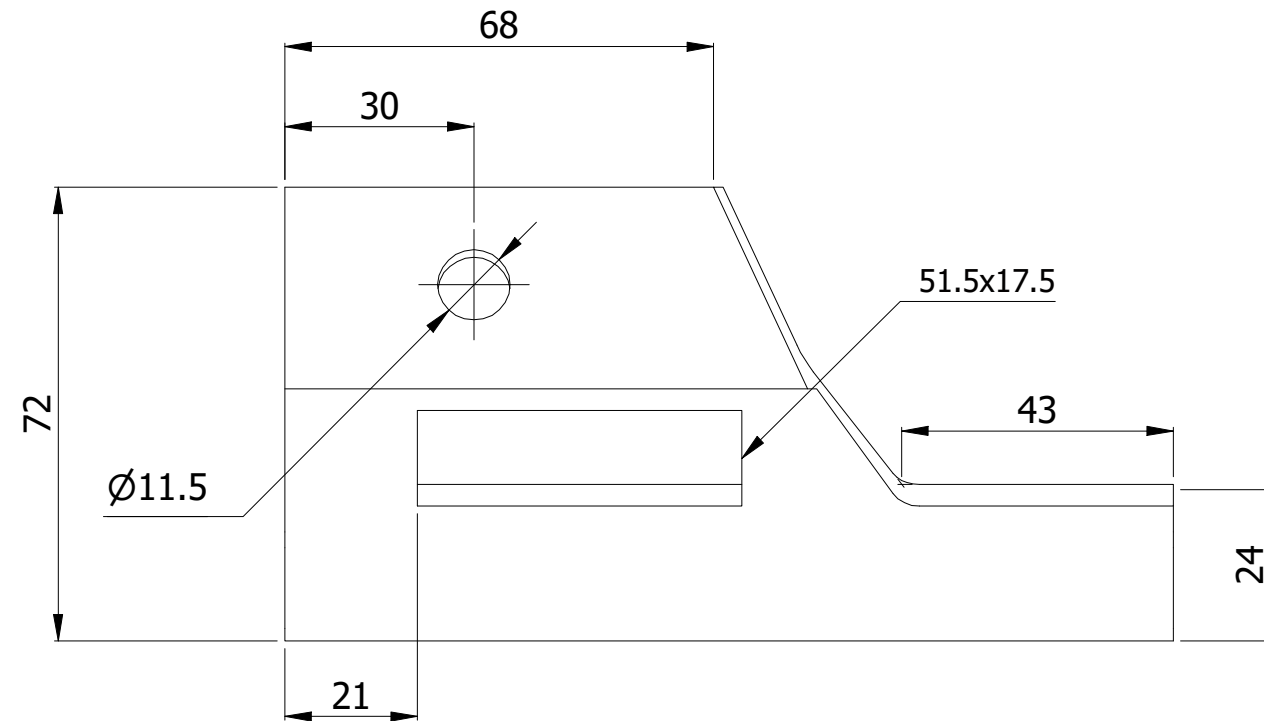
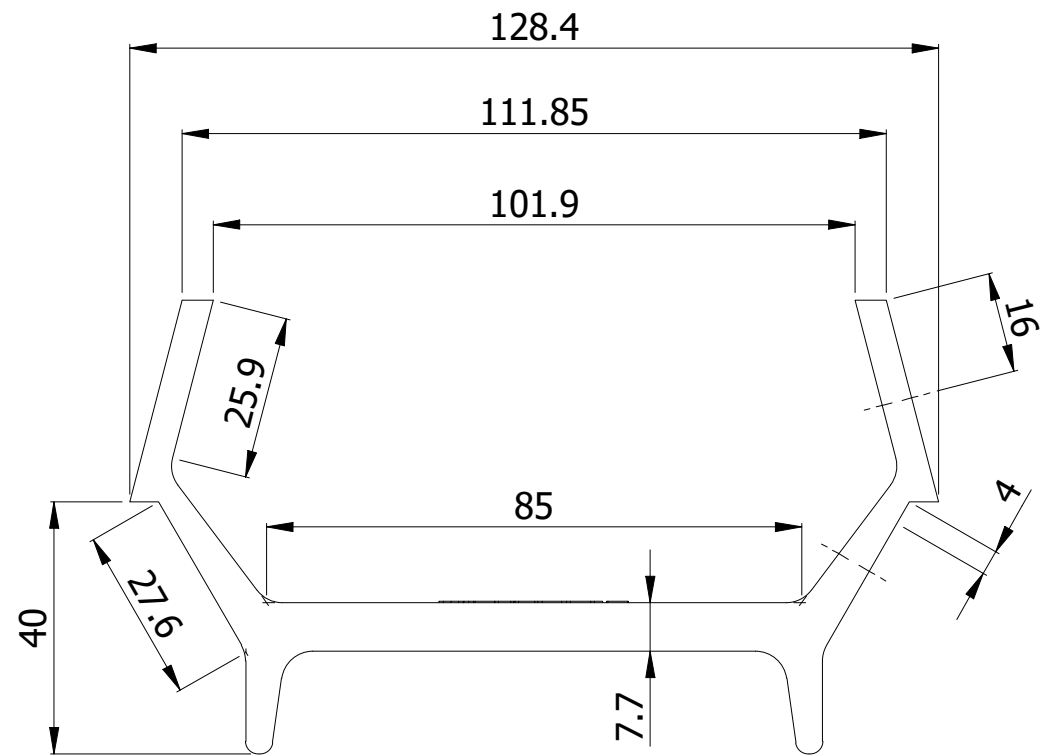
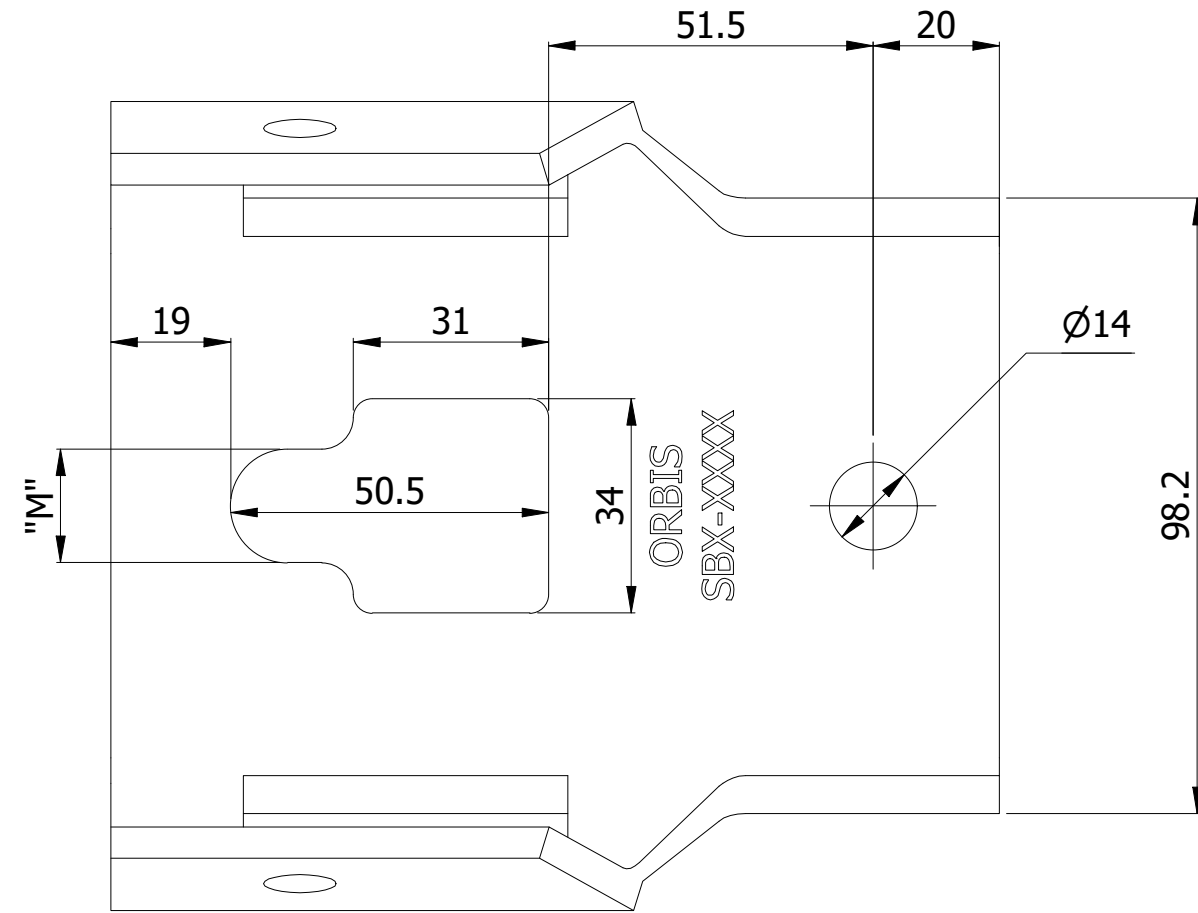
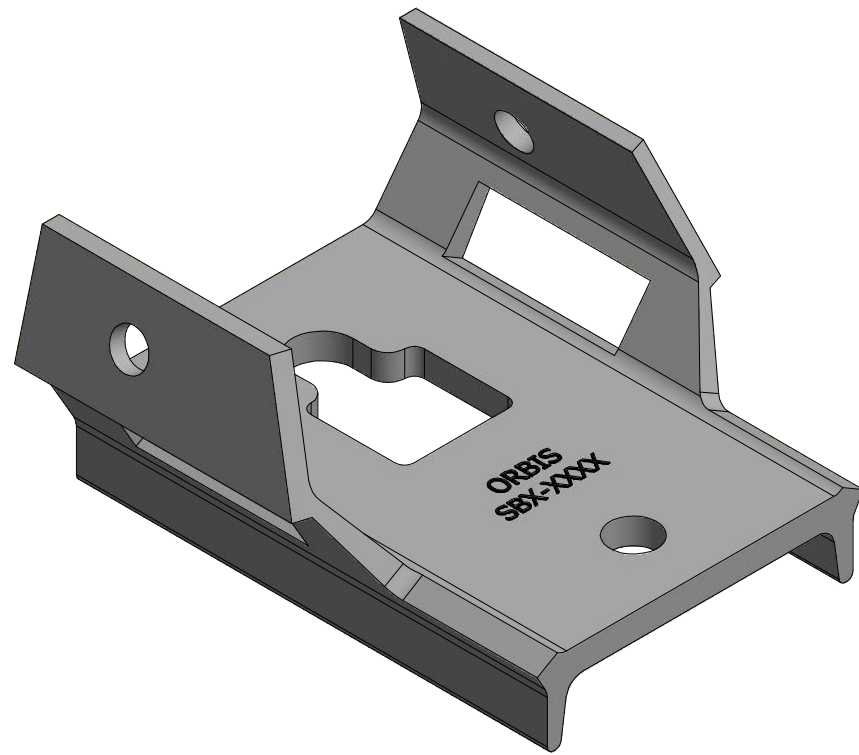
DRAWN	MSM	DATE	13-03-2023
APPROVED	DMM	DATE	14-03-2023
REVISION	R1.1		

DRAWING NUMBER

SBX-XXXX

DESCRIPTION

STANDOFF BRACKET ALUMINUM
WITH BOLT MOUNT



THIS DRAWING
CONTAINS
CONFIDENTIAL
INFORMATION
AND IS THE
EXCLUSIVE
PROPERTY OF
ORBIS
MANUFACTURING

ORBIS

DRAWN	MSM	DATE	13-03-2023
APPROVED	DMM	DATE	14-03-2023
REVISION	R1.1		

DRAWING NUMBER

SBX-XXXX

DESCRIPTION

STANDOFF BRACKET ALUMINUM
WITH BOLT MOUNT