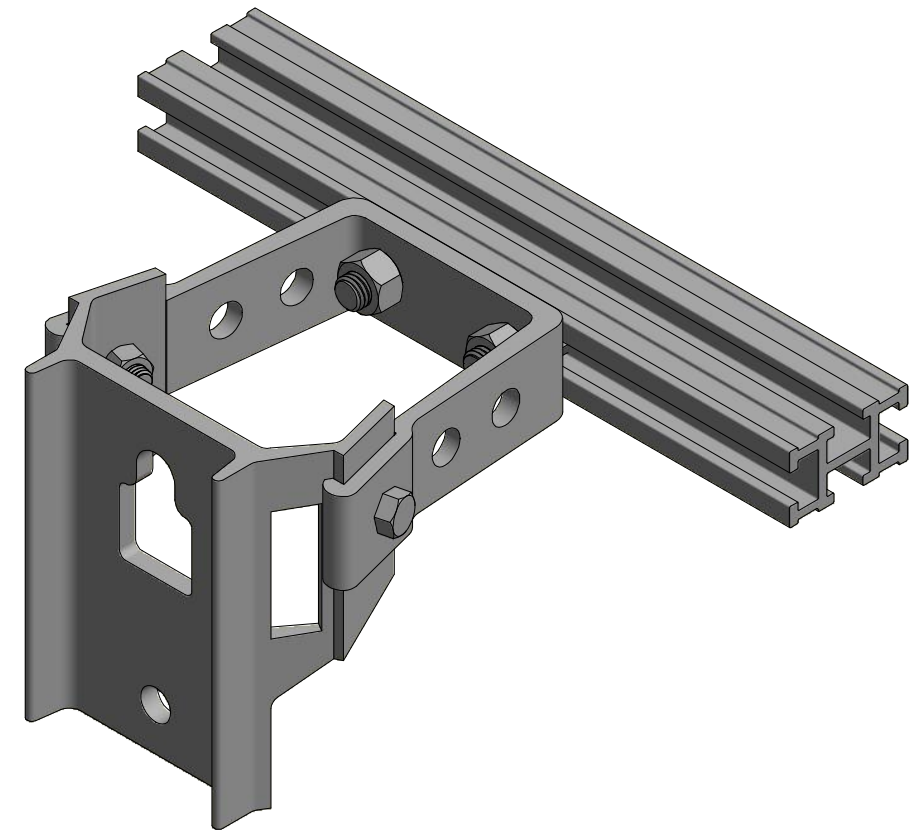


SR NO	PART NUMBER	OM4WT RAIL "L"	SB MTG HOLE "D"	SB HEIGHT "H"
1	OM4WT12-1116A	12"	11/16	6"
2	OM4WT12-1116B	12"	11/16	9"
3	OM4WT12-1316A	12"	13/16	6"
4	OM4WT12-1316B	12"	13/16	9"
5	OM4WT24-1116A	24"	11/16	6"
6	OM4WT24-1116B	24"	11/16	9"
7	OM4WT24-1316A	24"	13/16	6"
8	OM4WT24-1316B	24"	13/16	9"
9	OM4WT36-1116A	36"	11/16	6"
10	OM4WT36-1116B	36"	11/16	9"
11	OM4WT36-1316A	36"	13/16	6"
12	OM4WT36-1316B	36"	13/16	9"



THIS DRAWING  
CONTAINS  
CONFIDENTIAL  
INFORMATION  
AND IS THE  
EXCLUSIVE  
PROPERTY OF  
ORBIS  
MANUFACTURING

**ORBIS**

DRAWN	MSM	DATE	10-01-2023
APPROVED	DMM	DATE	18-01-2023
REVISION	-		

**DRAWING NUMBER**

OM4WTXX-XXXX

**DESCRIPTION**

STANDOFF BRACKET WITH RAIL