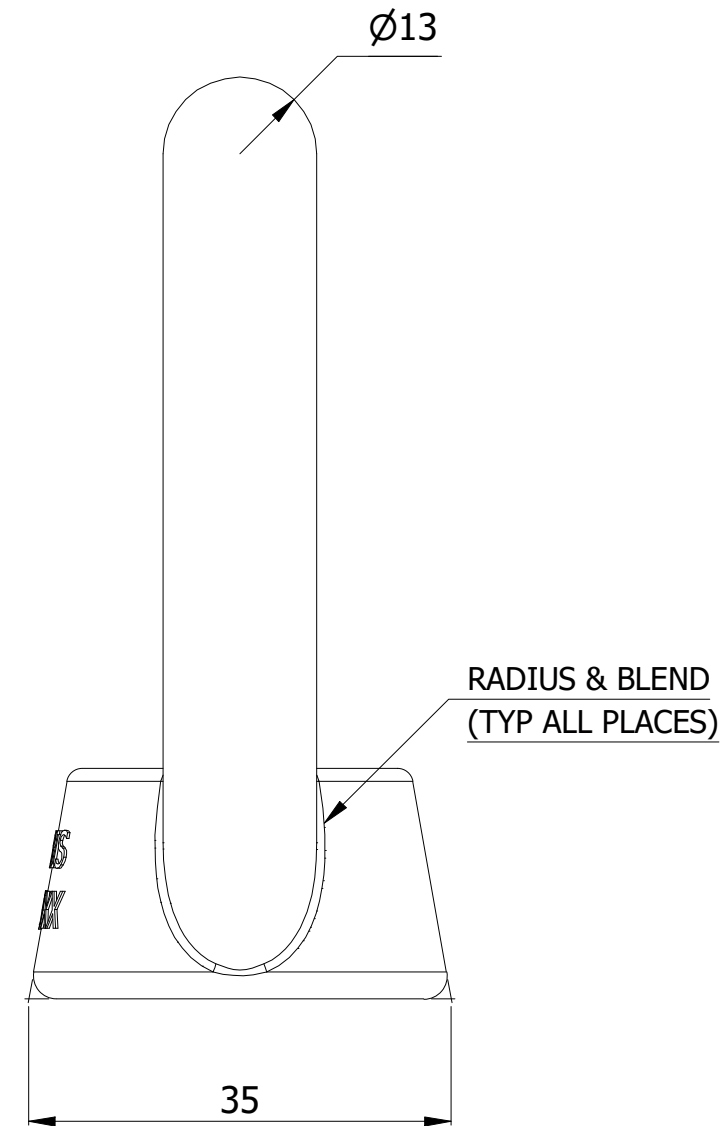
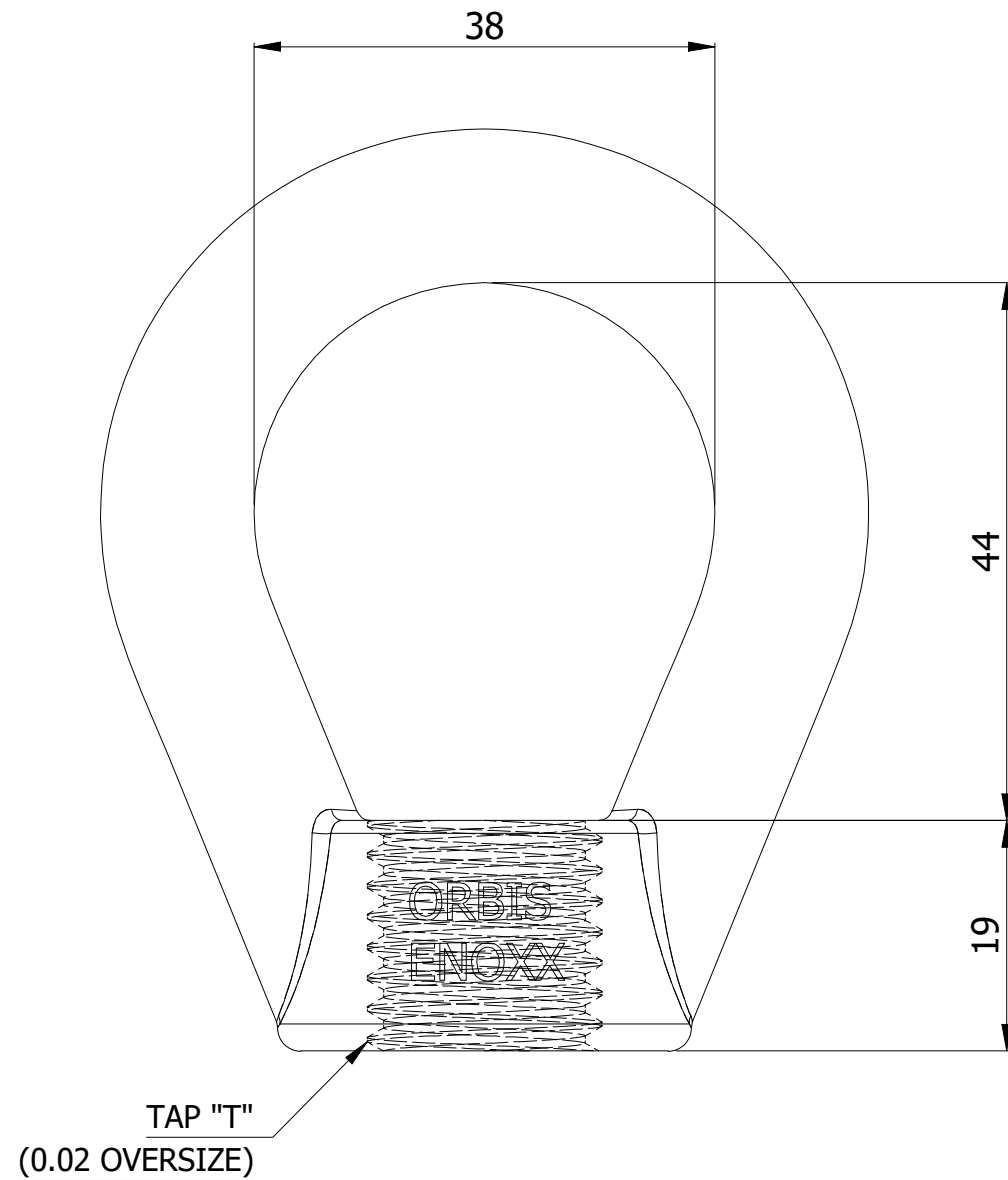


SR NO	PART NUMBER	DESCRIPTION	TAP (T) INCH
1	ENO34	EYE NUT OVAL 3/4" 22K LBS	0.770-10 UNC
2	ENO58	EYE NUT OVAL 5/8" 14K LBS	0.645-11 UNC



NOTES:-

1. MATERIAL: STEEL ANSI C135.1
2. GALVANIZED AS PER ASTM A153
3. ALL DIMENSIONS ARE IN MM UNLESS OTHERWISE SPECIFIED
4. TOLERANCE: $\pm 1/16$ "

THIS DRAWING
CONTAINS
CONFIDENTIAL
INFORMATION
AND IS THE
EXCLUSIVE
PROPERTY OF
ORBIS
MANUFACTURING

ORBIS

DRAWN	MSM	DATE	28-07-2022
APPROVED	DMM	DATE	04-08-2022
REVISION	-		

DRAWING NUMBER

ENOXX

DESCRIPTION

EYE NUT OVAL