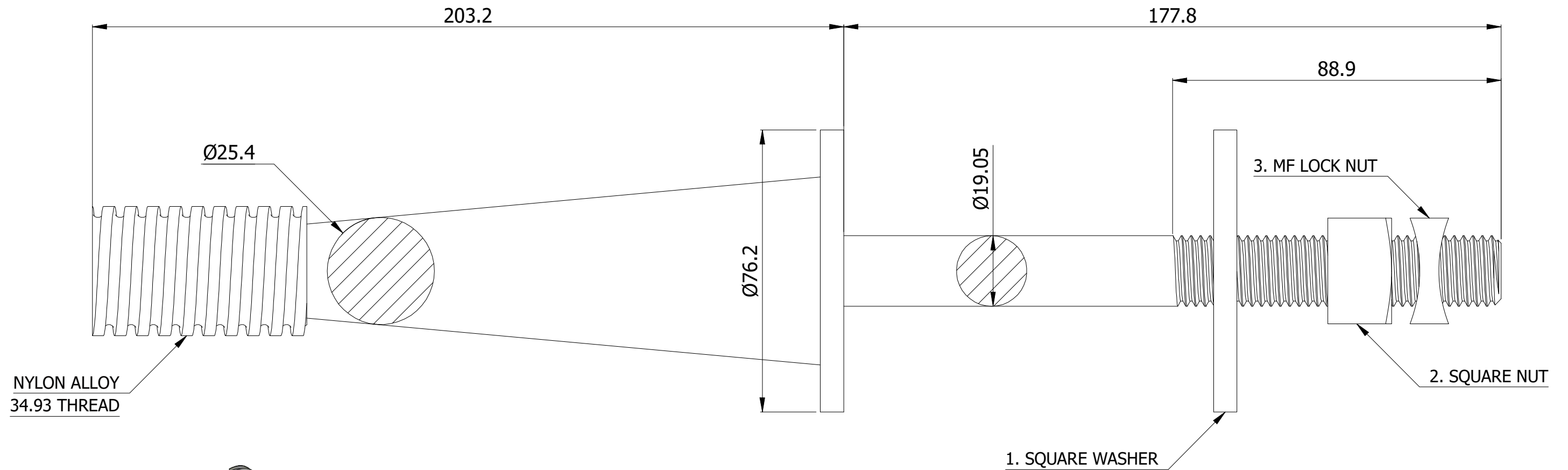


POS	PART NUMBER	DESCRIPTION
1	WSF3G-1316	WASHER SQUARE FLAT 3" x 3" 1/4" THICK
2	BNS34	3/4" SQUARE NUT
3	BNC34	3/4" CONCAVE MF NUT



NYLON ALLOY
34.93 THREAD

Ø25.4

Ø76.2

Ø19.05

203.2

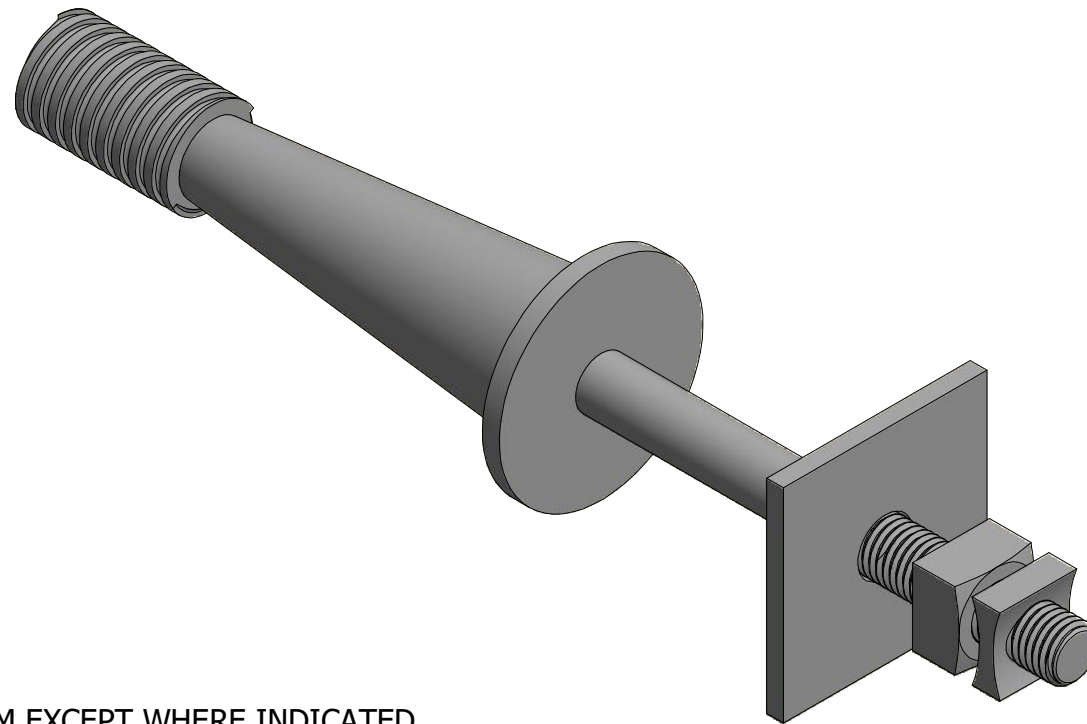
177.8

88.9

3. MF LOCK NUT

2. SQUARE NUT

1. SQUARE WASHER



NOTES:-

- ALL DIMENSIONS IN MM EXCEPT WHERE INDICATED.
- MATERIAL:-
BODY: STEEL
TIP: SEMI CONDUCTIVE NYLON
- HOT DIP GALVANIZED AS PER ASTM A153.

THIS DRAWING
CONTAINS
CONFIDENTIAL
INFORMATION
AND IS THE
EXCLUSIVE
PROPERTY OF
ORBIS
MANUFACTURING

ORBIS

DRAWN	MSM	DATE	05-08-2022
APPROVED	DMM	DATE	12-08-2022
REVISION	-		

DRAWING NUMBER

CAP2745

DESCRIPTION

CROSSARM PIN 3/4"D 7"L SHANK 8"L
TOP 1-3/8" NYLON THREAD