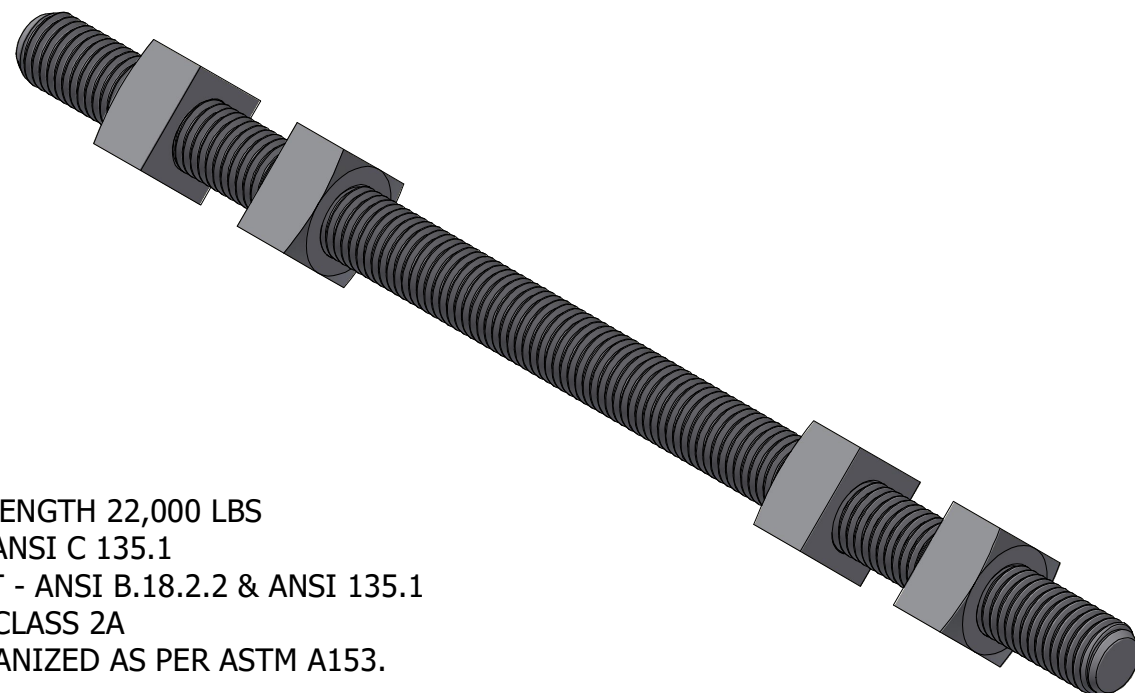
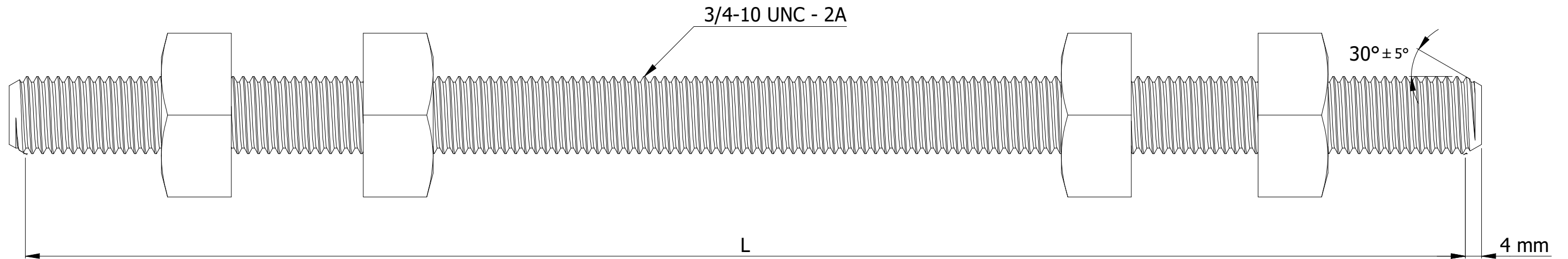


**NUT DETAIL**

SR NO	PART NUMBER	DESCRIPTION	LENGTH (L) INCH	WEIGHT (LBS)
1	BDA3414	BOLT DOUBLE ARMING 3/4" X 14" 4 SQUARE NUTS	14	2.2
2	BDA3416	BOLT DOUBLE ARMING 3/4" X 16" 4 SQUARE NUTS	16	2.4
3	BDA3418	BOLT DOUBLE ARMING 3/4" X 18" 4 SQUARE NUTS	18	2.6
4	BDA3420	BOLT DOUBLE ARMING 3/4" X 20" 4 SQUARE NUTS	20	2.8
5	BDA3422	BOLT DOUBLE ARMING 3/4" X 22" 4 SQUARE NUTS	22	3
6	BDA3424	BOLT DOUBLE ARMING 3/4" X 24" 4 SQUARE NUTS	24	3.2
7	BDA3426	BOLT DOUBLE ARMING 3/4" X 26" 4 SQUARE NUTS	26	3.4
8	BDA3428	BOLT DOUBLE ARMING 3/4" X 28" 4 SQUARE NUTS	28	3.6
9	BDA3430	BOLT DOUBLE ARMING 3/4" X 30" 4 SQUARE NUTS	30	3.8
10	BDA3432	BOLT DOUBLE ARMING 3/4" X 32" 4 SQUARE NUTS	32	4
11	BDA3434	BOLT DOUBLE ARMING 3/4" X 34" 4 SQUARE NUTS	34	4.3
12	BDA3436	BOLT DOUBLE ARMING 3/4" X 36" 4 SQUARE NUTS	36	4.7
13	BDA3438	BOLT DOUBLE ARMING 3/4" X 38" 4 SQUARE NUTS	38	5



**NOTE:-**

1. MATERIAL: STEEL
2. MINIMUM TENSILE STRENGTH 22,000 LBS
3. DIMENSIONS : BOLT - ANSI C 135.1  
SQ. NUT - ANSI B.18.2.2 & ANSI 135.1
4. THREADS : 3/4" - UNC CLASS 2A
5. FINISH: HOT DIP GALVANIZED AS PER ASTM A153.

THIS DRAWING  
CONTAINS  
CONFIDENTIAL  
INFORMATION  
AND IS THE  
EXCLUSIVE  
PROPERTY OF  
ORBIS  
MANUFACTURING



DRAWN	MSM	DATE	20-07-2022
APPROVED	DMM	DATE	25-07-2022
REVISION	DMM	R2.1	23-02-2024

**DRAWING NUMBER**

BDA34XX

**DESCRIPTION**

BOLT DOUBLE ARMING 3/4" X L"  
4 SQUARE NUTS