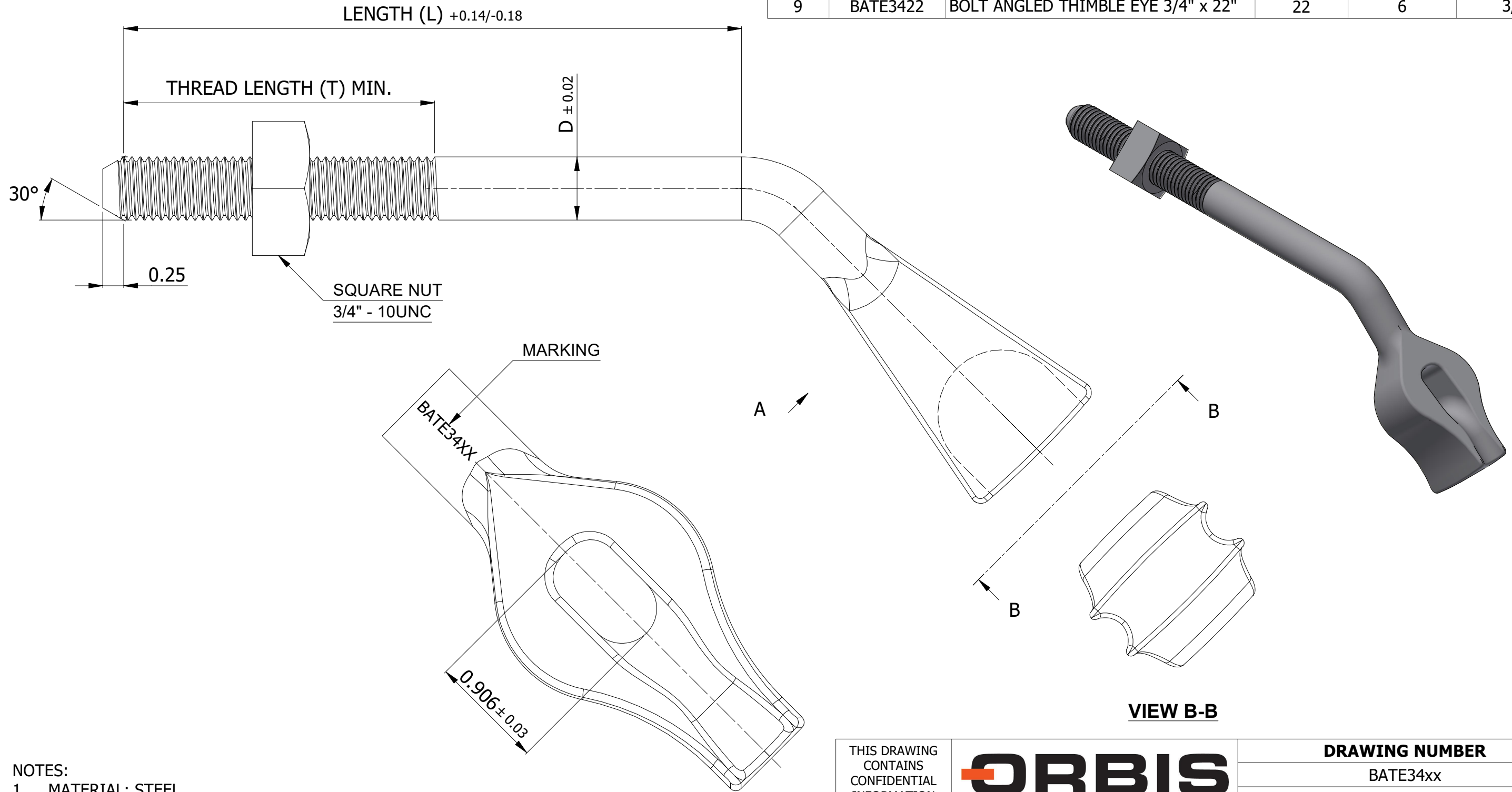


SR NO	PART NUMBER	DESCRIPTION	L (INCH)	T (INCH)	D (INCH)
1	BATE3406	BOLT ANGLED THIMBLE EYE 3/4" x 6"	6	4	3/4
2	BATE3408	BOLT ANGLED THIMBLE EYE 3/4" x 8"	8	4	3/4
3	BATE3410	BOLT ANGLED THIMBLE EYE 3/4" x 10"	10	4	3/4
4	BATE3412	BOLT ANGLED THIMBLE EYE 3/4" x 12"	12	6	3/4
5	BATE3414	BOLT ANGLED THIMBLE EYE 3/4" x 14"	14	6	3/4
6	BATE3416	BOLT ANGLED THIMBLE EYE 3/4" x 16"	16	6	3/4
7	BATE3418	BOLT ANGLED THIMBLE EYE 3/4" x 18"	18	6	3/4
8	BATE3420	BOLT ANGLED THIMBLE EYE 3/4" x 20"	20	6	3/4
9	BATE3422	BOLT ANGLED THIMBLE EYE 3/4" x 22"	22	6	3/4



- NOTES:
1. MATERIAL: STEEL
 2. MINIMUM TENSILE STRENGTH: 20,200 LBS.
 3. THREADS: 3/4" - 10 UNC
 4. FINISH: HOT DIP GALVANIZED AS PER ASTM A153

VIEW A

VIEW B-B

THIS DRAWING CONTAINS CONFIDENTIAL INFORMATION AND IS THE EXCLUSIVE PROPERTY OF ORBIS MANUFACTURING

ORBIS			
DRAWN	MSM	DATE	25-10-2024
APPROVED	DMM	DATE	31-10-2024
REVISION	-		

DRAWING NUMBER	BATE34xx
DESCRIPTION	3/4" ANGLED THIMBLE EYE BOLT