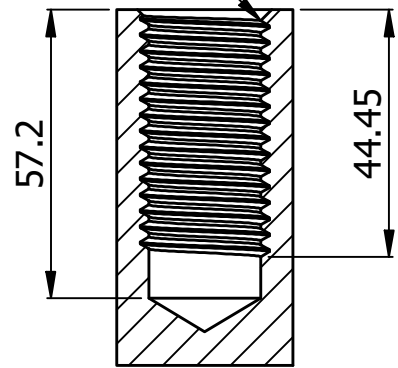
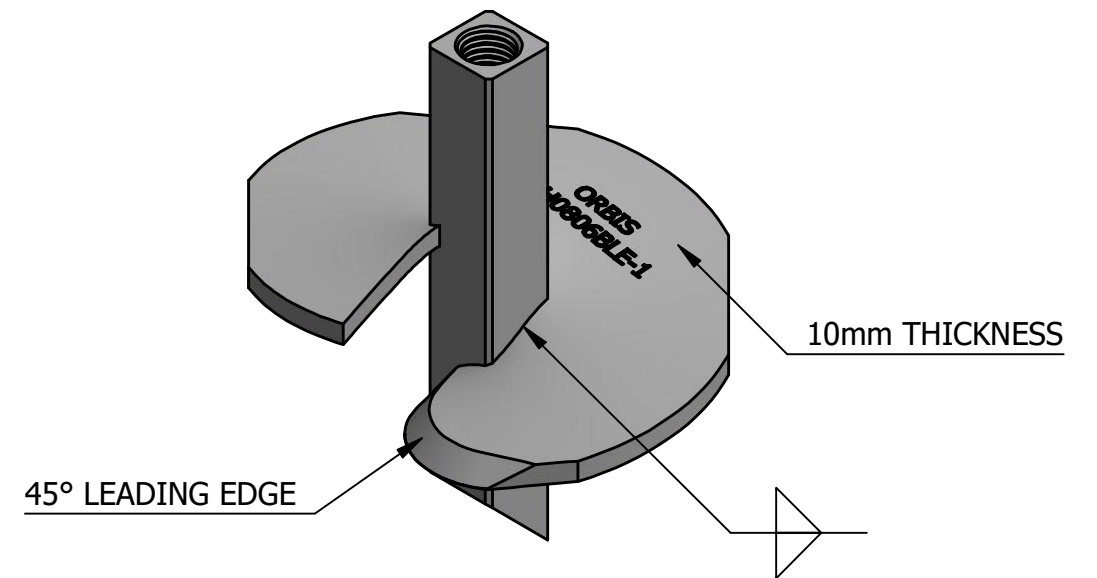
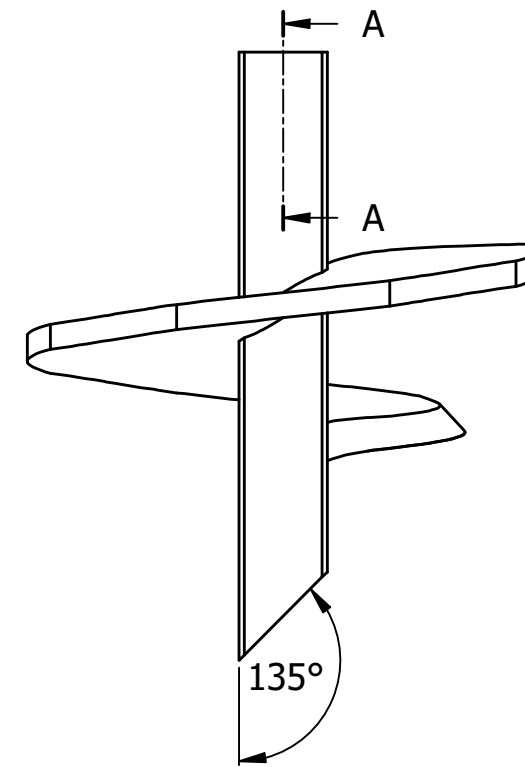
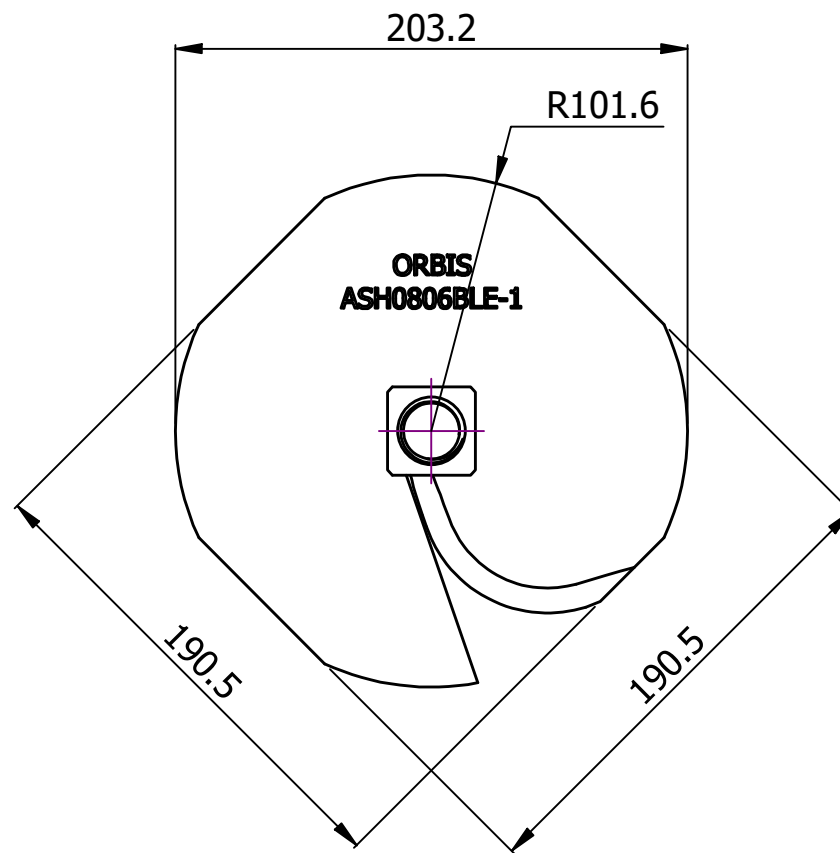
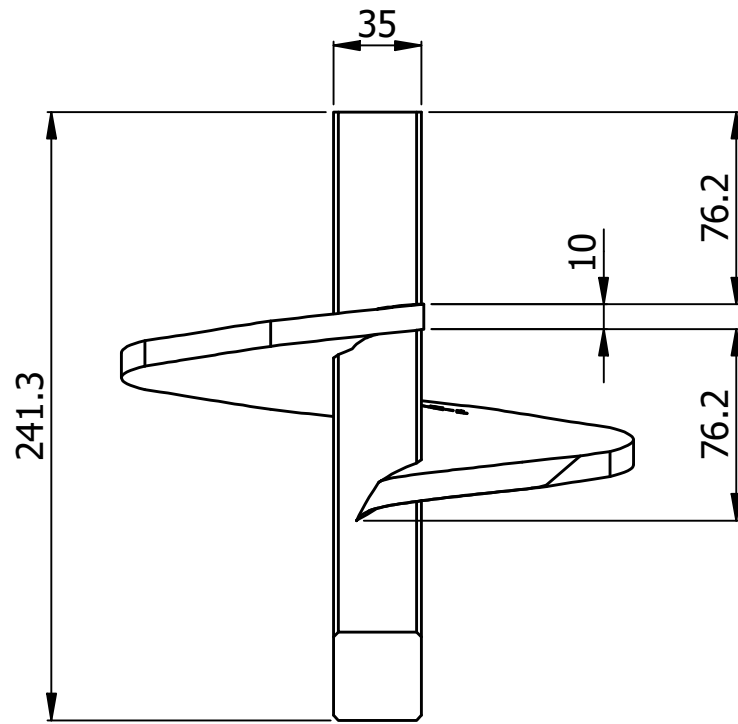


1.021" - 8 UNC - 2B



**SECTION A-A**



- NOTES:  
 1.FINISH: CORROSION-RESISTANT GREY PAINT  
 2.TORQUE RATING: 6000 LBS  
 3.ALL DIMENSIONS ARE IN MM UNLESS SPECIFIED

THIS DRAWING CONTAINS CONFIDENTIAL INFORMATION AND IS THE EXCLUSIVE PROPERTY OF ORBIS MANUFACTURING	<b>ORBIS</b>			<b>DRAWING NUMBER</b>	
				ASH0806BLE-1	
				<b>DESCRIPTION</b>	
				ANCHOR 8" 6000 FT LBS SOLID HUB 1-3/8" SQ OD 1" THREAD	
DRAWN	MSM	DATE	20-07-2022		
APPROVED	DMM	DATE	25-07-2022		
REVISION	-				