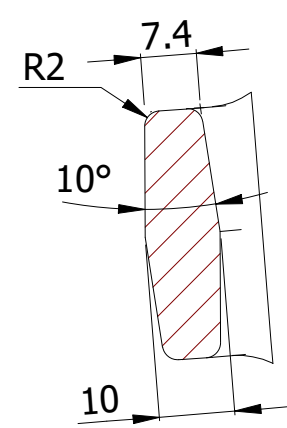
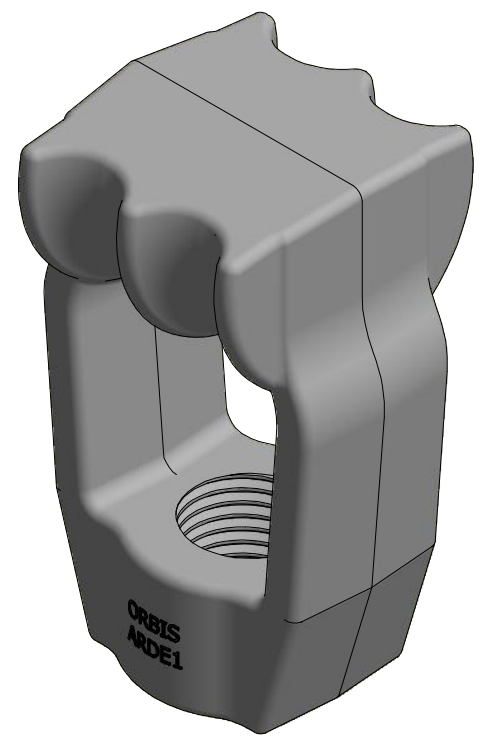
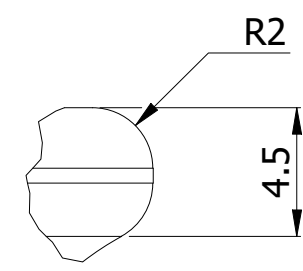


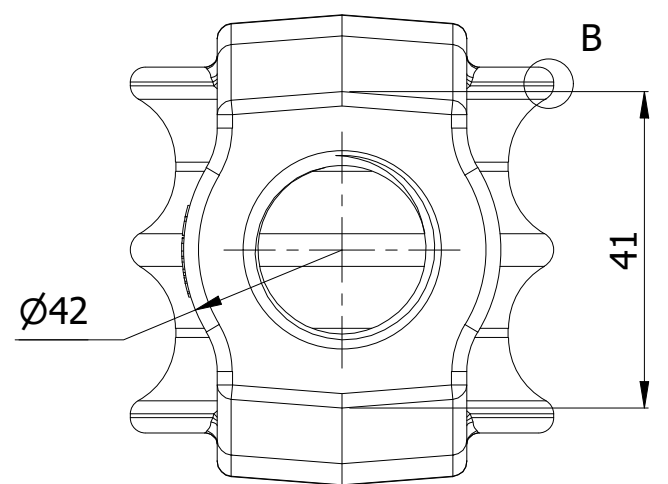
SECTION C-C



SECTION A-A



DETAIL B



- NOTE:-
1. MATERIAL: HOT ROLLED STEEL.
 2. HOT DIP GALVANIZED AS PER ASTM A-153.
 3. TENSILE STRENGTH: 36,000 LBS
 4. ALL MEASUREMENTS IN MM.

THIS DRAWING CONTAINS CONFIDENTIAL INFORMATION AND IS THE EXCLUSIVE PROPERTY OF ORBIS MANUFACTURING



DRAWN	MSM	DATE	08-08-2022
APPROVED	DMM	DATE	15-08-2022
REVISION	-		

DRAWING NUMBER
ARDE1
DESCRIPTION
ANCHOR NUT DOUBLE EYE THIMBLE 1" THREAD