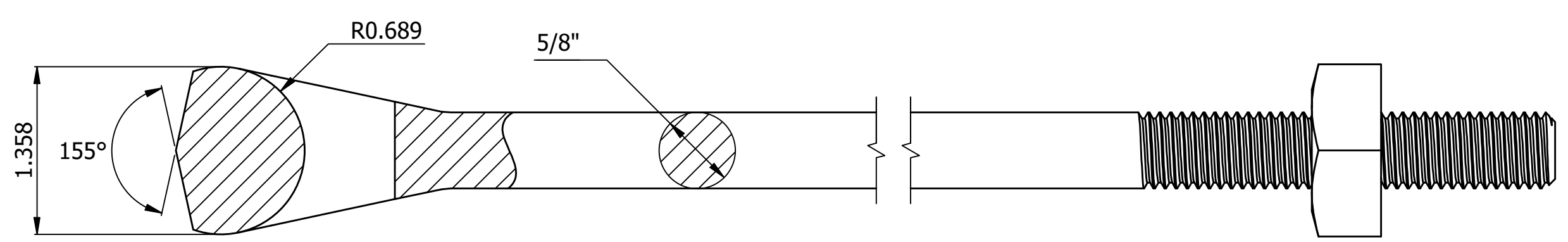
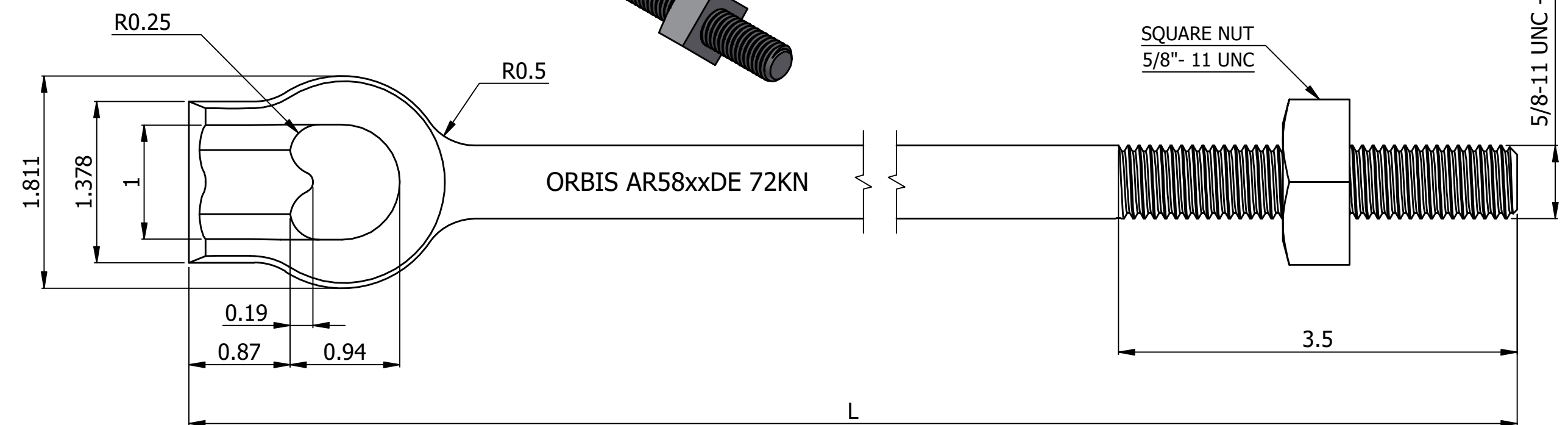
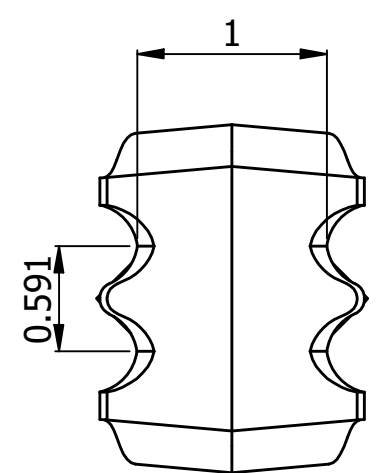
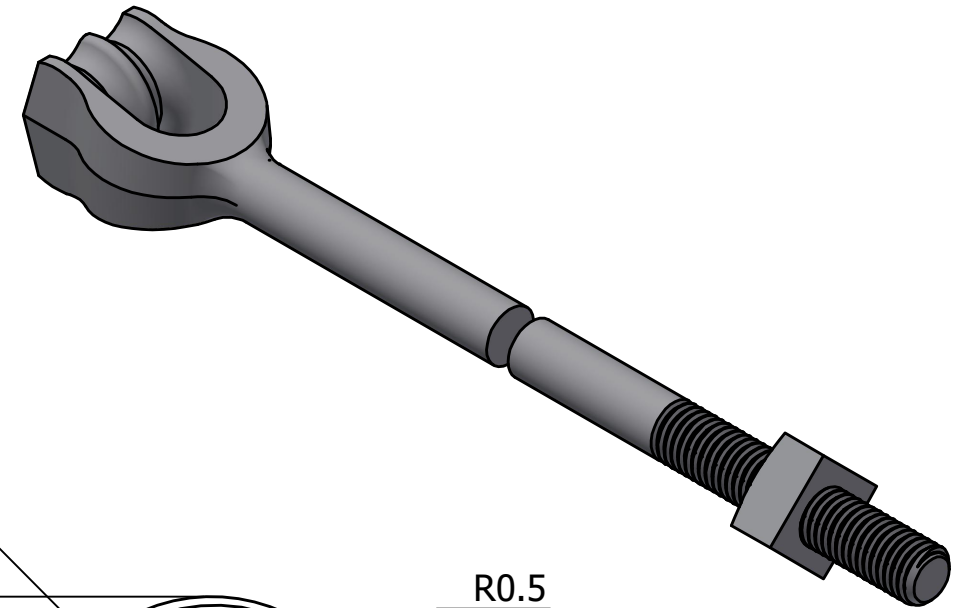


SR NO	PART NUMBER	DESCRIPTION	L (FT)
1	AR5806DE	ANCHOR ROD 6' DOUBLE EYE THIMBLE 5/8" ROD	6
2	AR5807DE	ANCHOR ROD 7' DOUBLE EYE THIMBLE 5/8" ROD	7
3	AR5808DE	ANCHOR ROD 8' DOUBLE EYE THIMBLE 5/8" ROD	8



- NOTE:
1. FINISH: HOT DIP GALVANIZED AS PER ASTM A153
  2. UNLESS SPECIFIED WISE ALL DIMENSIONS ARE IN INCHES
  3. ULTIMATE STRENGTH 72 KN (16,000 LBS)

THIS DRAWING CONTAINS CONFIDENTIAL INFORMATION AND IS THE EXCLUSIVE PROPERTY OF ORBIS MANUFACTURING	<b>ORBIS</b>				<b>DRAWING NUMBER</b>		
					AR58XXDE		
					<b>DESCRIPTION</b>		
					ANCHOR ROD L' DOUBLE EYE THIMBLE ROD AND THREAD 5/8"		
DRAWN	MSM	DATE	27-07-2022	APPROVED	DMM	DATE	03-08-2022
REVISION	DMM	R1	05-08-2024				