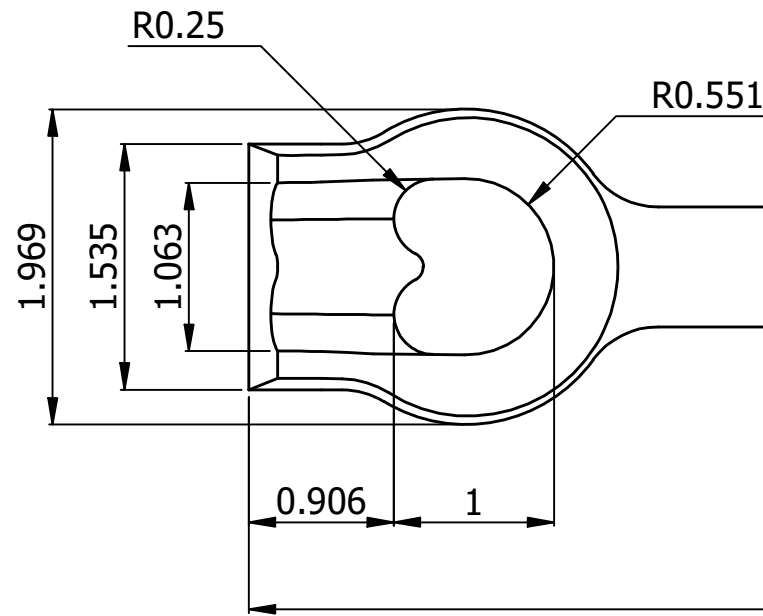
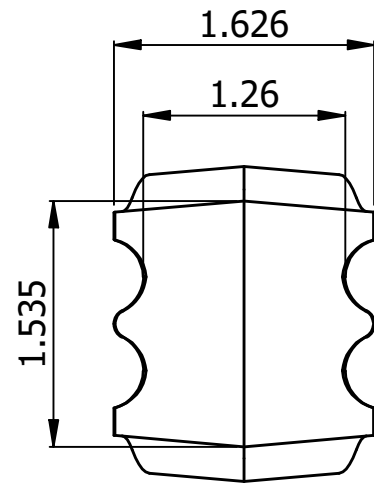
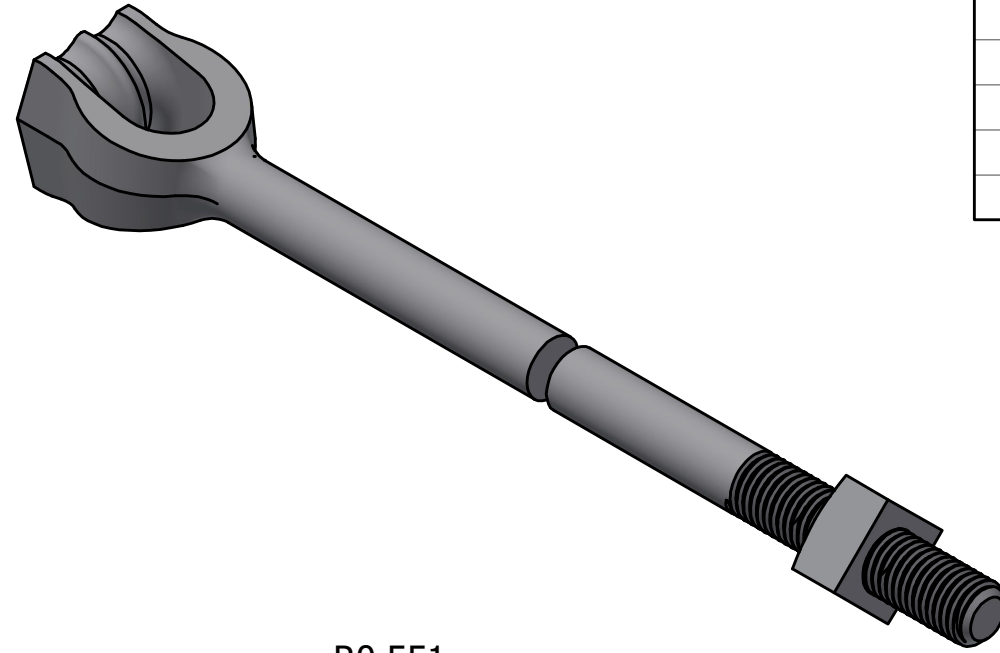


SR NO	PART NUMBER	DESCRIPTION	L (FT)
1	AR3406DE	ANCHOR ROD 6' DOUBLE EYE THIMBLE 3/4" ROD	6
2	AR3407DE	ANCHOR ROD 7' DOUBLE EYE THIMBLE 3/4" ROD	7
3	AR3408DE	ANCHOR ROD 8' DOUBLE EYE THIMBLE 3/4" ROD	8
4	AR3409DE	ANCHOR ROD 9' DOUBLE EYE THIMBLE 3/4" ROD	9
5	AR3410DE	ANCHOR ROD 10' DOUBLE EYE THIMBLE 3/4" ROD	10



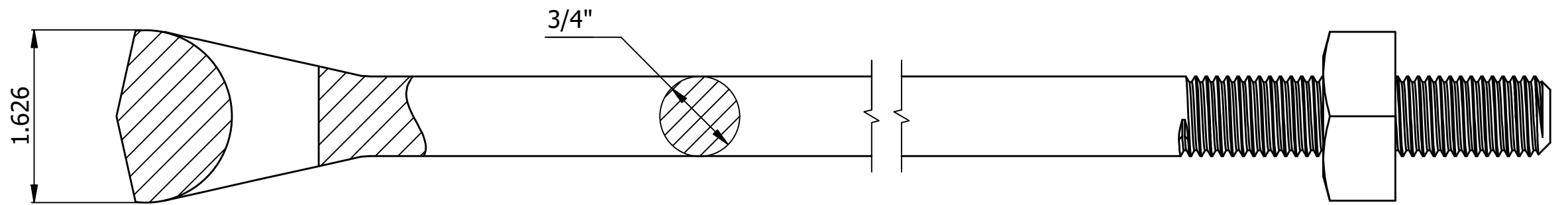
ORBIS "AR34xx" 103KN

SQUARE NUT
3/4"- 10 UNC

3/4-10 UNC - 2A

3.5

L



NOTE:-

- HOT DIP GALVANIZED AS PER ASTM 153
- MATERIAL: FORGED STEEL
- ALL MEASUREMENTS IN INCHES UNLESS SPECIFIED
- TENSILE STRENGTH 103KN (23,000 LBS).

THIS DRAWING
CONTAINS
CONFIDENTIAL
INFORMATION
AND IS THE
EXCLUSIVE
PROPERTY OF
ORBIS
MANUFACTURING

ORBIS

DRAWN	MSM	DATE	27-07-2022
APPROVED	DMM	DATE	03-08-2022
REVISION	R1.1		

DRAWING NUMBER

AR34XXDE

DESCRIPTION

ANCHOR ROD L' DOUBLE EYE
THIMBLE 3/4" ROD