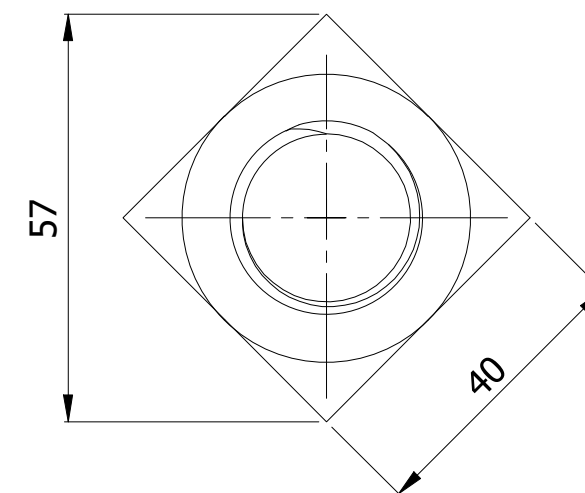
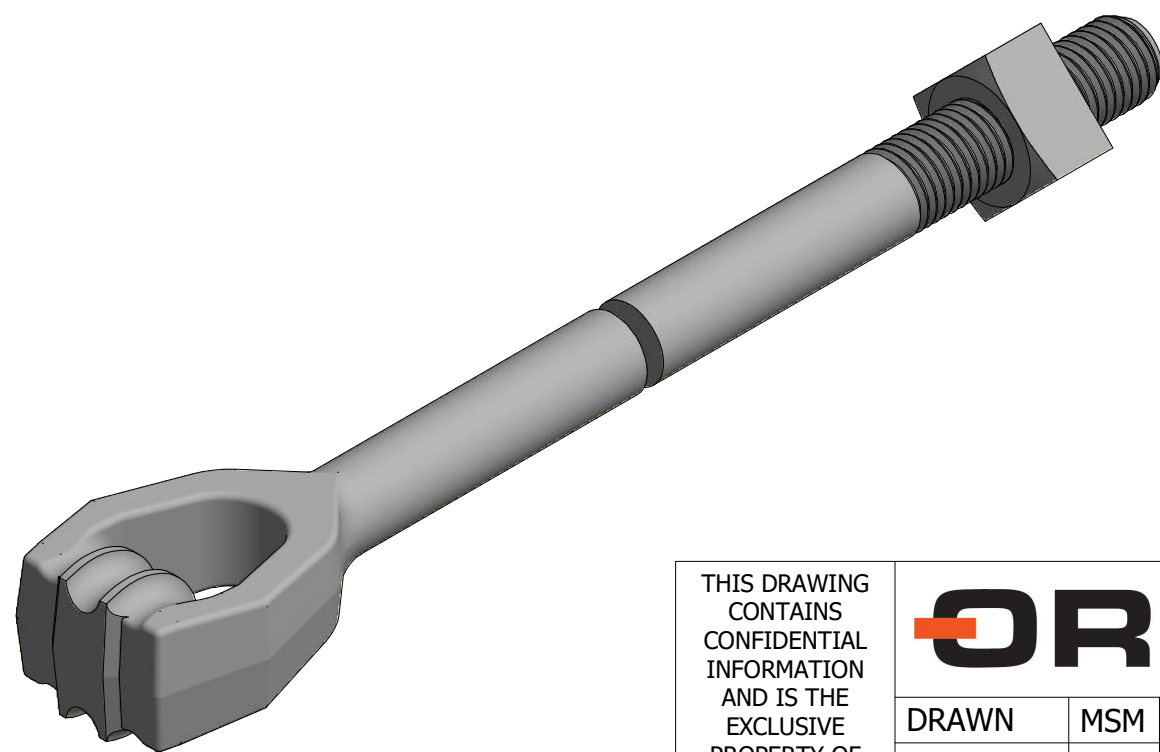


VIEW A



NOTES:-

1. HOT DIP GALVANIZED PER ASTM A-153
2. ULTIMATE STRENGTH 161 KN (36,000 LBS)
3. ASSEMBLED WITH A HEAVY SQUARE NUT
4. ALL DIMENSIONS ARE IN MM UNLESS SPECIFIED.

THIS DRAWING CONTAINS CONFIDENTIAL INFORMATION AND IS THE EXCLUSIVE PROPERTY OF ORBIS MANUFACTURING



DRAWN	MSM	DATE	08-08-2022
APPROVED	DMM	DATE	15-08-2022
REVISION	-		

DRAWING NUMBER

AR110TE

DESCRIPTION

ANCHOR ROD 10' TRIPLE EYE THIMBLE ROD AND THREAD 1"